



# FACT SHEET

## SE62

### Seismic 500E Grade Mesh

**2440 mm x 6100 mm (12.76m<sup>2</sup> nett cover)**

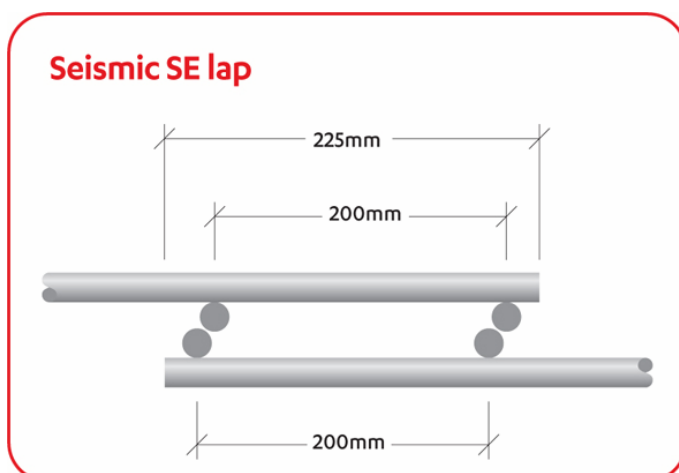
**COMPLIES WITH THE REQUIREMENTS OF AS/NZS 4671:2001 AND WITH NZS 3604:2011**

#### TEST CERTIFICATES AVAILABLE

All sheets are individually numbered to ensure accurate identification

WIRE SIZE	6.1mm DIAMETER	MIN. UNIFORM ELONGATION	10%
WIRE MASS	0.229kg/m	YIELD STRESS	≥ 500 Mpa 73 kN/METRE WIDTH
CROSS SECTIONAL AREA	146 mm <sup>2</sup> /METRE WIDTH	RATIO Ultimate / Yield	≥ 1.15
MASS PER SQUARE METRE	2.294 kg/METRE <sup>2</sup>	MINIMUM WELD SHEAR	743 kg force

### Side and End Lapping



The Lap splices listed on this chart are based on NZ Standard 3101 requirements and Steel & Tube Wire Processing believe that most design situations will be satisfied, however, no responsibility for design accuracy can be assumed and designers should refer to NZ Standard 3101:2006 for substantiating calculations.

#### PLEASE NOTE:

Compliance with this lap splice ensures the requirements of NZS 3604:2011 will also be met.

To talk with an expert, call us today on **0800 478 335**  
Or find out more online at [www.steelandtube.co.nz](http://www.steelandtube.co.nz)

(NOV 2011)